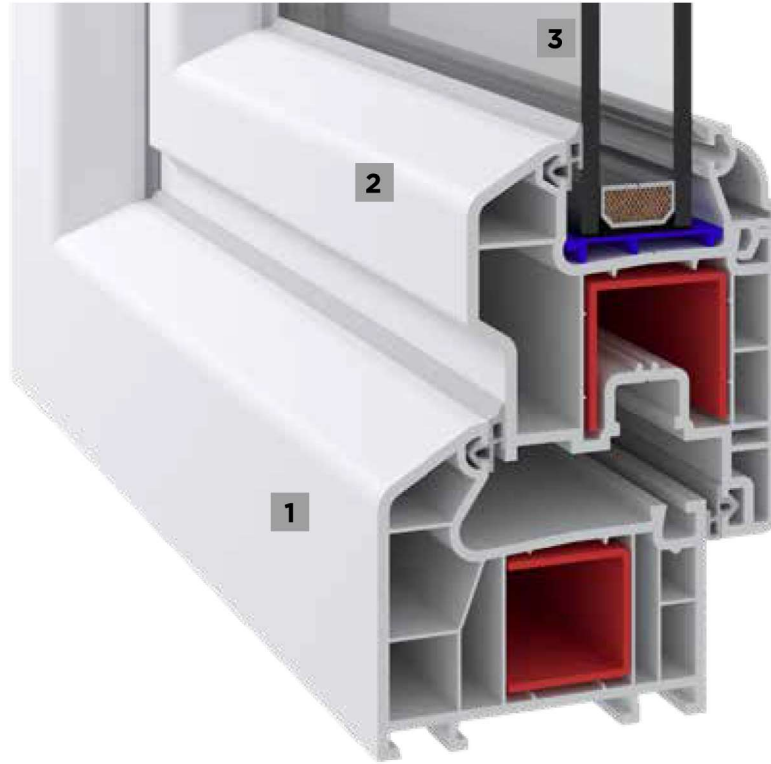


**PLASPEN**<sup>®</sup>

**P 760 SERIES  
PVC PROFILE SYSTEM**



## TECHNICAL

### P 760 SERIES

**Profile Width:** 70 mm

**Number of chambers:** 5

**Profile Class:** B Class (TS EN 12608-1)

**Seal Type:** External / Internal double seal system

**Seal Type and Color:** TPE - Grey /Black

**Glass Thickness (mm):** 4, 20, 24, 30, 32 mm

**The thermal insulation Uf:** 1,45 W/m²K

- 1** Frame 5 chambers system.
- 2** Offset and flat sash option
- 3** Double and triple glass option.

## INSTRUCTION

- The main profiles have 70 mm width.
- Because of the elastic grey and black seal which does not leave any stain on profiles will be provided maximum air, water, dust and sound isolation.
- Due to the 5 chambers profiles, it has maximum performance for thermal, sound and water isolation.
- It is a series of profiles with very special design that provides maximum wind resistance on high rise buildings.
- In addition to white profile a different laminated color range is available.
- 4-5 mm single glazing application of 4, 20, 24, 30, 32 mm glazing beads give us alternatives of using double, triple glazing and panels.

## LAMINATED COLORS



**GOLDEN OAK  
ST 500**



**DARK OAK  
ST 501**



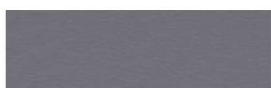
**SWAMP OAK  
ST 503**



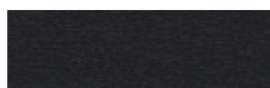
**LIGHT OAK  
ST 515**



**GREY SAND  
AS 509**



**GREY  
ST 507**



**ANT. GREY  
ST 508**



**ANT. GREY  
AS 508**

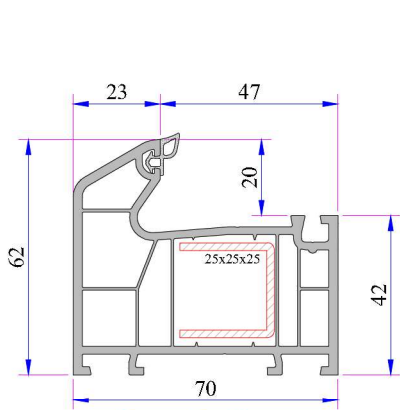


**MAHOGANY  
ST 504**



**CREAM  
AS 057**

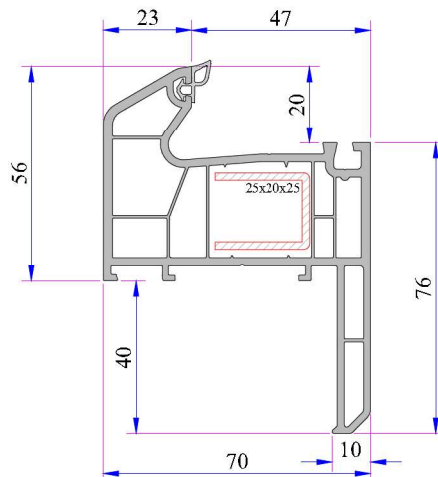
# P 760 SERIES PVC PROFILE SYSTEM



**Frame Profile**

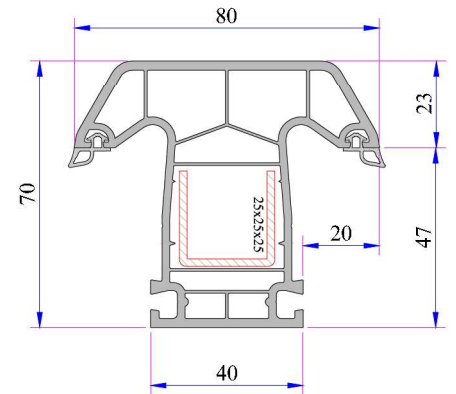
Code:

P.A.706.1000.600.0.BC.03



**Frame Profile With Sill**

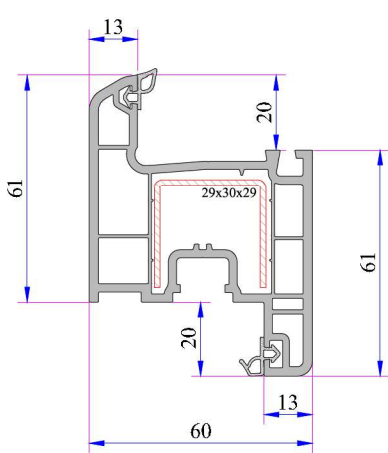
Code: P.A.706.1200.600.0.BC.03



**Mullion Profile**

Code:

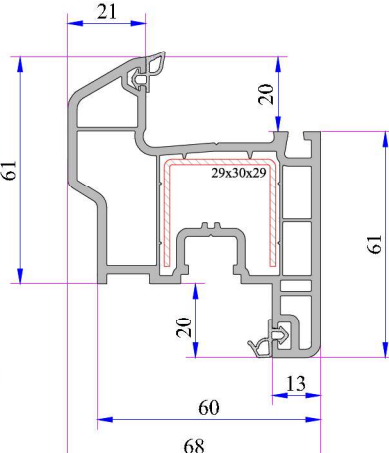
P.A.706.3000.600.0.BC.03



**Sash Profile**

Code:

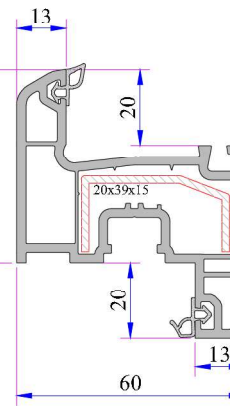
P.A.632.2000.600.0.BC.03



**Offset Type Sash Profile**

Code:

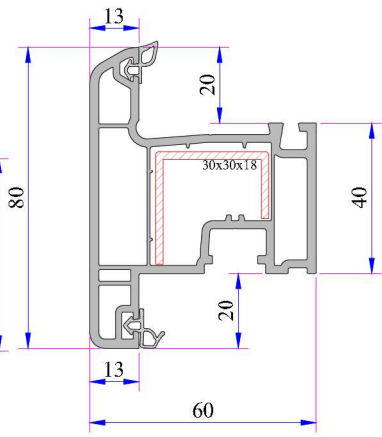
P.A.632.2200.600.0.BC.03



**Narrow Sash Profile**

Code:

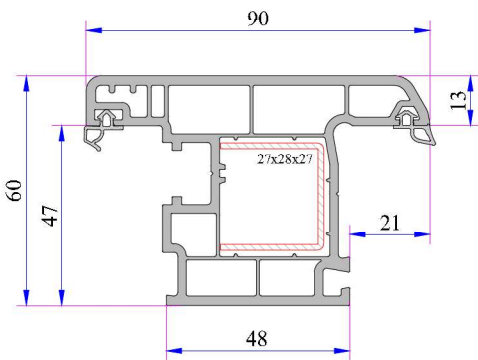
P.A.900.2005.600.0.BC.03



**Outward Opening Sash Profile**

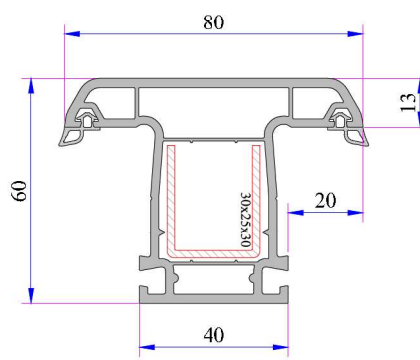
Code:

P.A.632.2014.600.0.BC.03



**Outward Opening Sash Profile (9 Axis)**

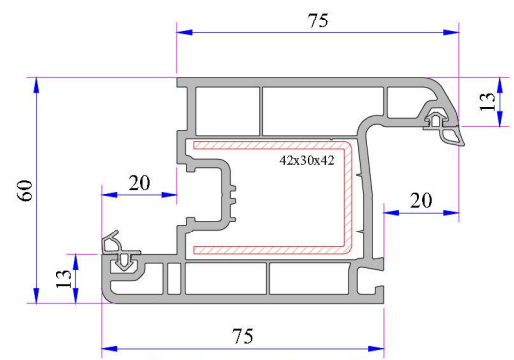
Code: P.A.430.2001.600.0.BC.03



**Mullion For Door Profile**

Code:

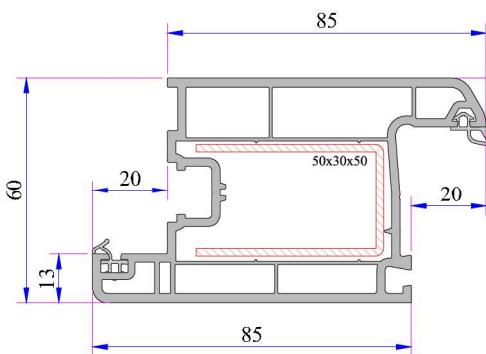
P.A.632.3000.600.0.BC.03



**Eco Door Sash Profile**

Code:

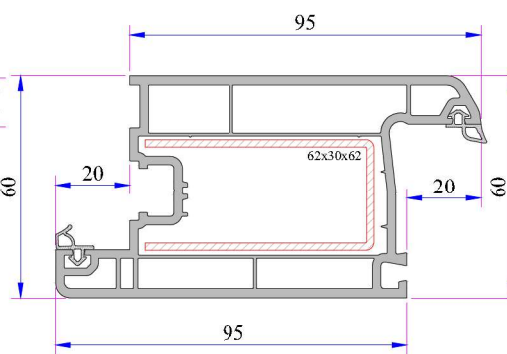
P.A.632.2107.600.0.BC.03



**Door Sash Profile**

Code:

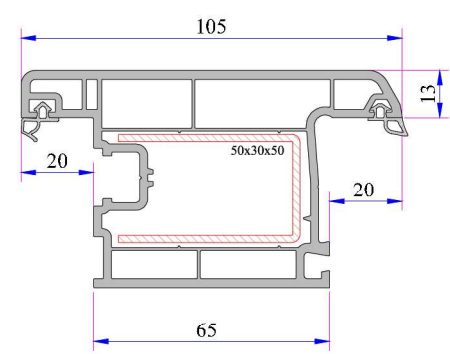
P.A.632.2100.600.0.BC.03



**Super Door Sash Profile**

Code:

P.A.632.2103.600.0.BC.03

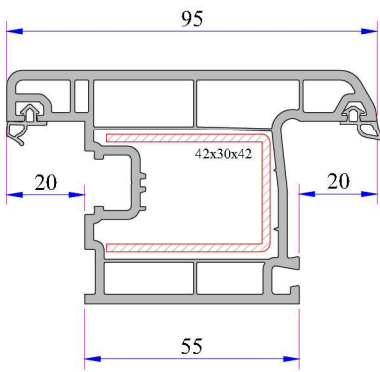


**Outward Opening Door Sash Profile**

Code:

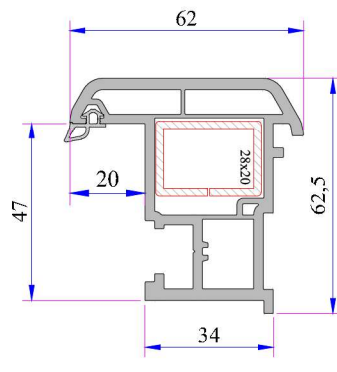
P.A.632.2101.600.0.BC.03

# P 760 SERIES PVC PROFILE SYSTEM



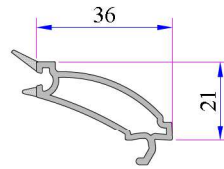
**Outward Opening Eco Door Sash Profile**

Code: P.A.632.2104.600.0.BC.03



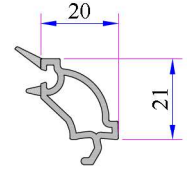
**Lap Joint Profile**

Code: P.A.632.3100.600.0.BC.19



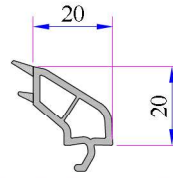
**Single Glazing Bead 4-6mm**

Code: P.A.101.4002.600.0.HC



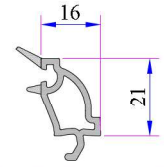
**Double Glazing Bead 20mm**

Code: P.A.101.4102.600.0.HC



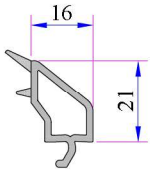
**Single Glazing Bead 20mm**

Code: P.A.101.4100.600.0.HC



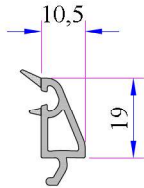
**Double Glazing Bead 24mm**

Code: P.A.101.4202.600.0.HC



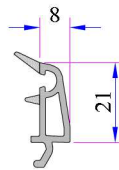
**Double Glazing Bead 24mm**

Code: P.A.101.4200.600.0.HC (White)



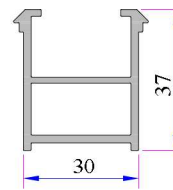
**Triple Glazing Bead 30mm**

Code: P.A.332.4100.600.0.HC (White)



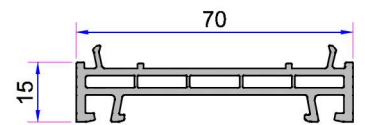
**Triple Glazing Bead 32mm**

Code: P.A.101.4500.600.0.HC (White)



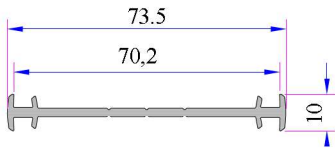
**Frame Montage Profile**

Code: P.A.060.5301.600.0.00.19



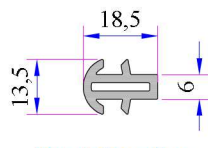
**Frame Lifting Profile 15 mm**

Code: 070.5304



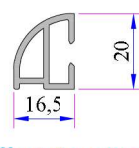
**Narrow Coupling Profile**

Code: P.A.070.5001.600



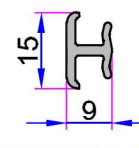
**Short Coupling Profile**

Code: P.A.099.5003.600



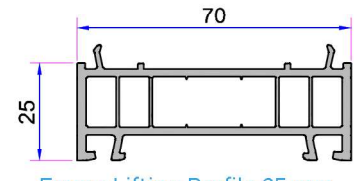
**Offset Coupling Profile**

Code: P.A.900.6307.600



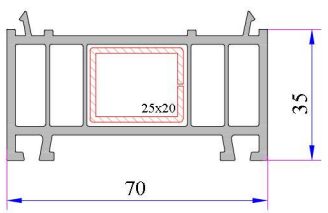
**Universal Short Coupling Profile**

Code: 099.5004



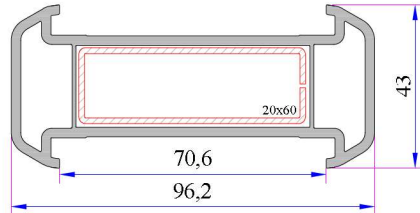
**Frame Lifting Profile 25 mm**

Code: 070.5306



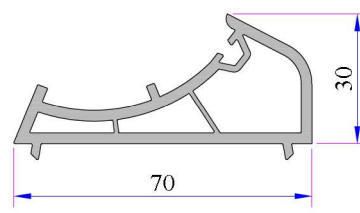
**35mm Frame Lifting Profile**

Code: P.A.070.5300.600.0.00.19



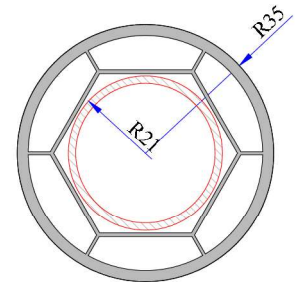
**Large Coupling Profile**

Code: P.A.070.5000.600.0.00.19



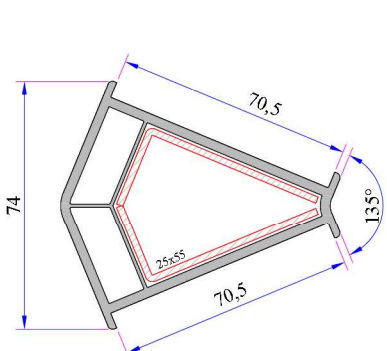
**Corner Lag Profile**

Code: P.A.070.5104.600.0.00.19



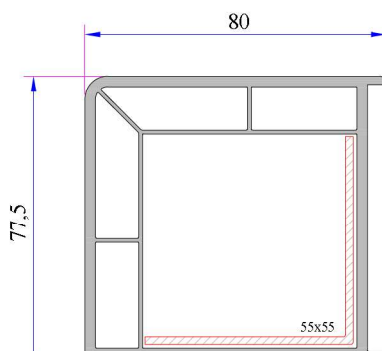
**Pipe Profile**

Code: P.A.070.5106.600



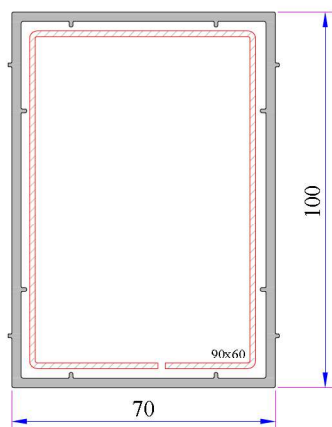
**135° Corner Profile**

Code: P.A.070.5102.600.0.00.19



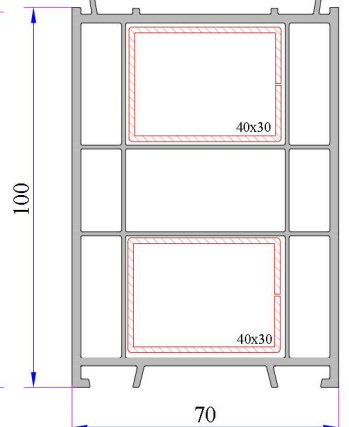
**90° Corner Profile**

Code: P.A.070.5100.600.0.00.19



**70x100mm Box Profile**

Code: P.A.070.5202.600.0.00.19

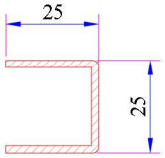


**100mm Frame Lifting Profile**

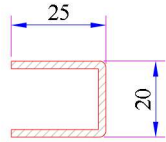
Code: P.A.070.5302.600.0.00.19

# P 760 SERIES PVC PROFILE SYSTEM

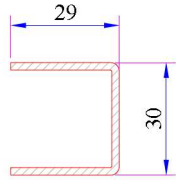
## P 760 Re-Inforcement Profiles



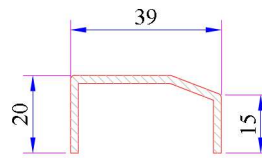
Frame - Mullion Profile Reinforcement  
Code: 34022-12003



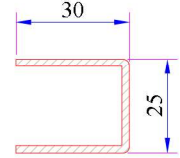
Frame with Sill Profile Reinforcement  
Code: 34022-12021



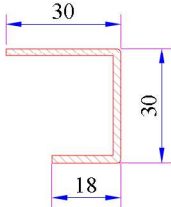
Sash - Offset Type Sash Profile Reinforcement  
Code: 34022-12002



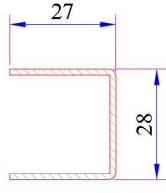
Narrow Sash Profile Reinforcement  
Code: 34022-12031



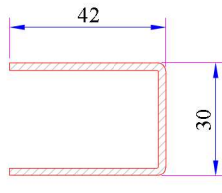
Mullion For Door Profile Reinforcement  
Code: 34022-12004



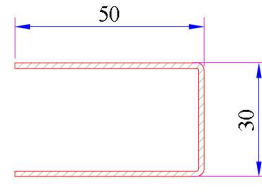
Outward Opening Sash Profile Reinforcement  
Code: 34022-12022



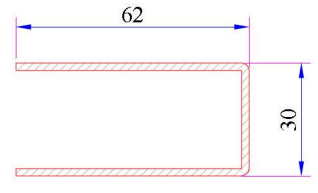
Outward Opening Sash Profile (9 Axis) Reinforcement  
Code: 34022-12020



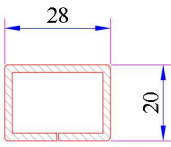
Eco Door Sash - Outward Opening Eco Door Sash Profile Reinforcement  
Code: 34022-12023



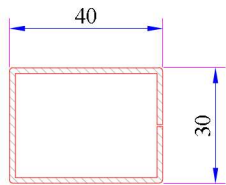
Door Sash - Outward Opening Door Sash Profile Reinforcement  
Code: 34022-12013



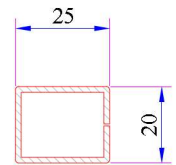
Super Door Sash Profile Reinforcement  
Code: 34022-12029



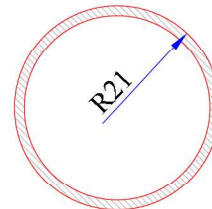
Lap Joint Profile Reinforcement  
Code: 34022-12118



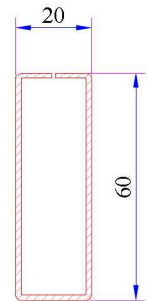
100mm Frame Lifting Profile Reinforcement  
Code: 34022-12120



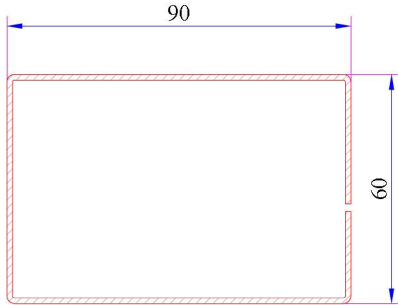
35mm Frame Lifting Profile Reinforcement  
Code: 34022-12104



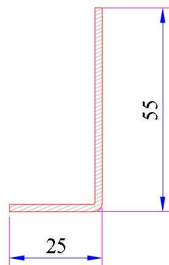
Pipe Profile Reinforcement  
Code: 34022-12502



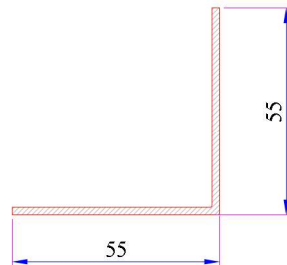
Large Coupling Profile Reinforcement  
Code: 34022-12106



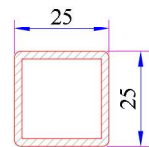
70x100 mm Box Profile Reinforcement  
Code: 34022-12121



135° Corner Profile Reinforcement  
Code: 34022-12303

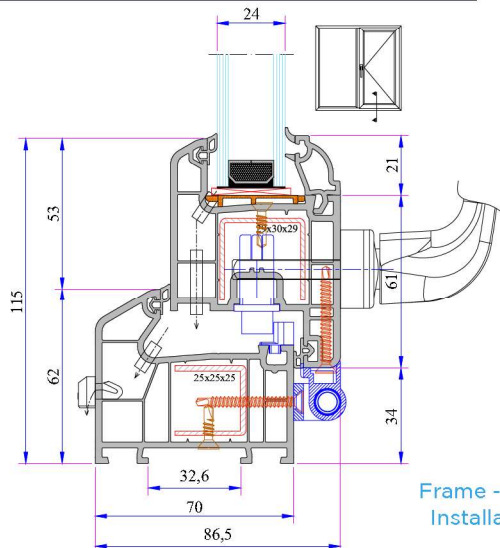


90° Corner Profile Reinforcement  
Code: 34022-12305

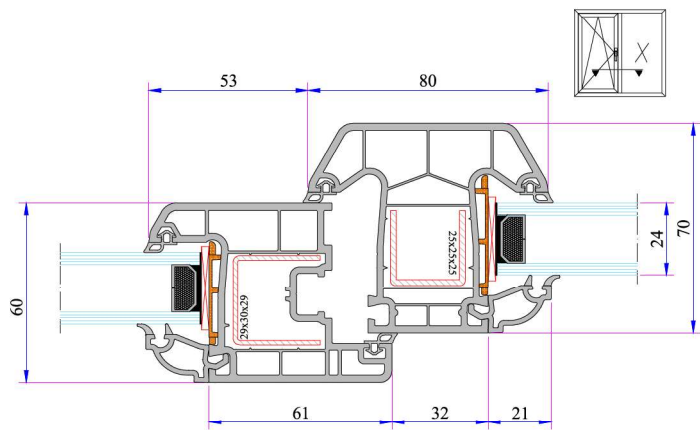


Mullion Profile Static Reinforcement  
Code: 34022-12122

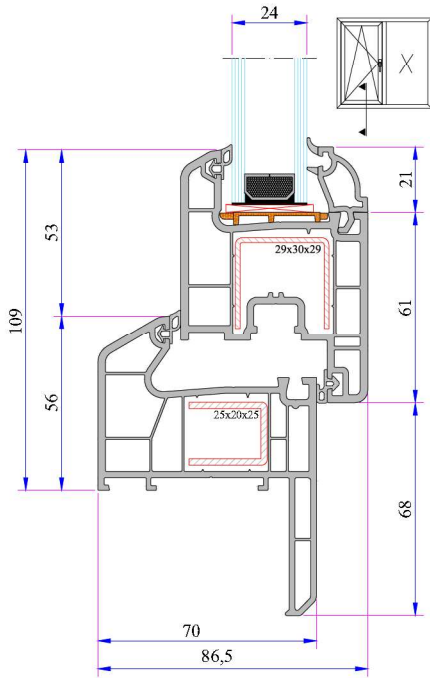
## P 760 Installation



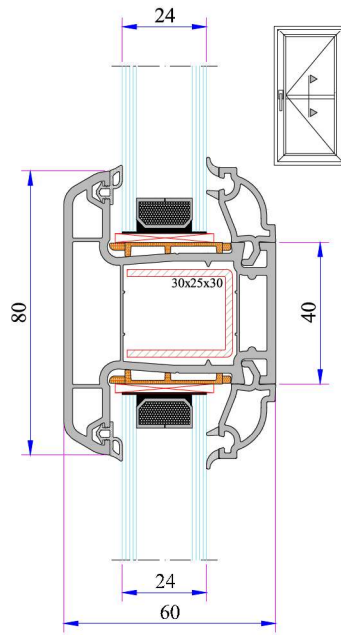
Frame - Sash Installation



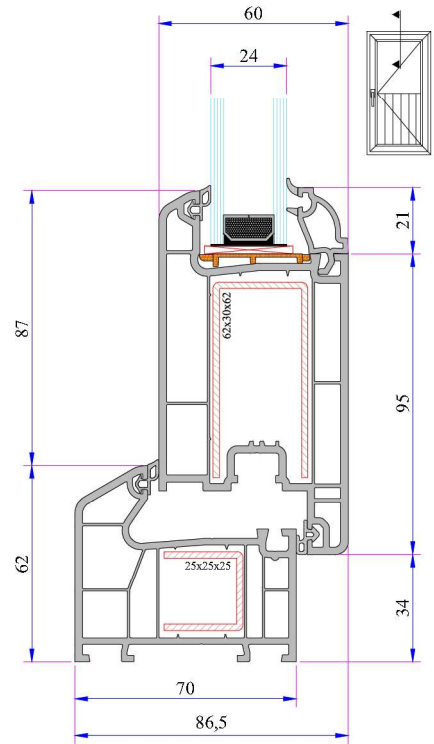
Mullion - Sash Installation



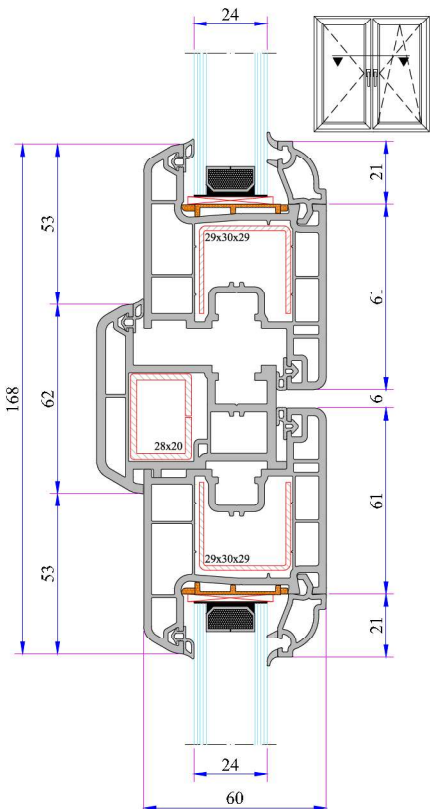
Frame with Sill - Sash Installation



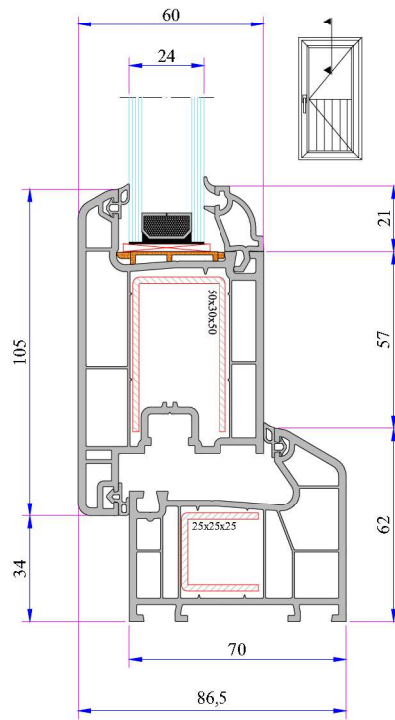
Mullion Profile Installation



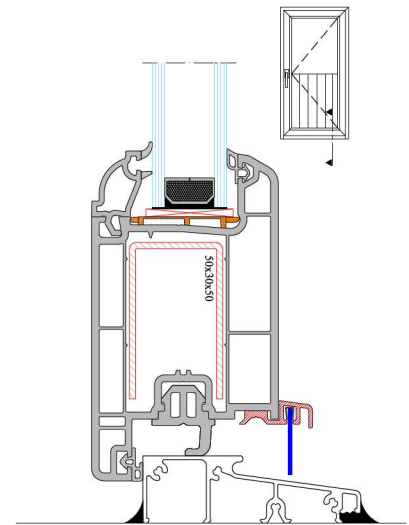
Frame - Super Door Sash Installation



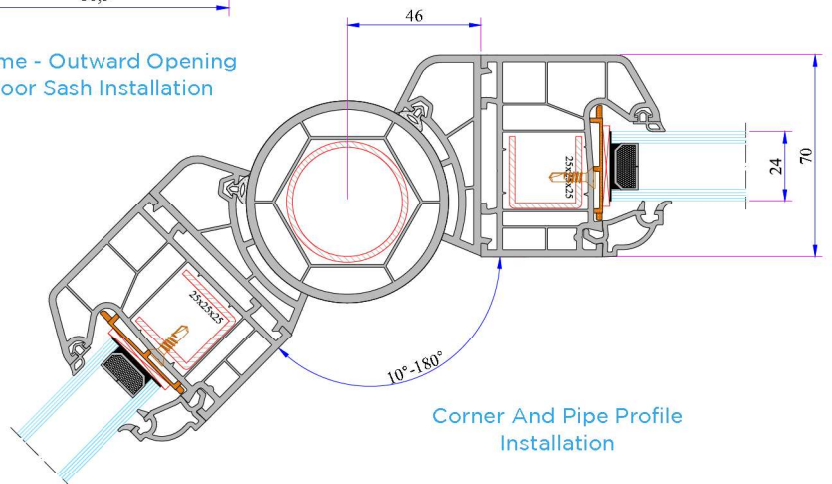
Sash - Lap Joint - Sash Installation



Frame - Outward Opening Door Sash Installation

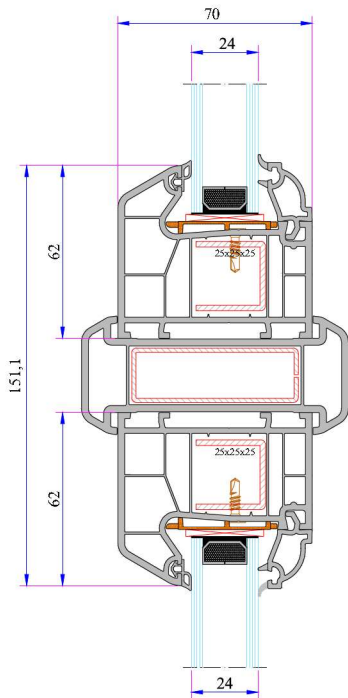


With Aluminium Threshold Frame Door Sash Installation

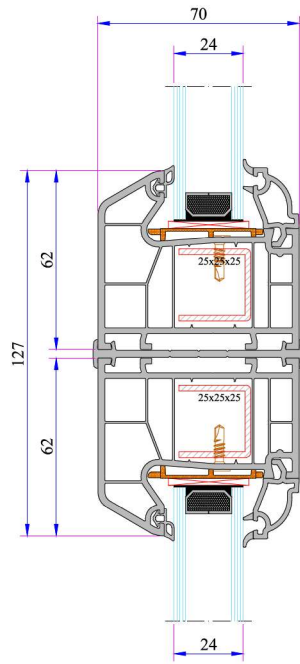


Corner And Pipe Profile Installation

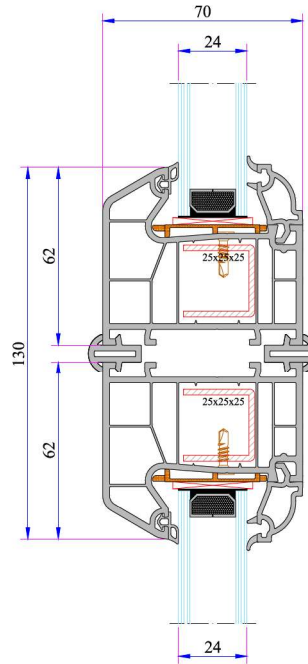
# P 760 SERIES PVC PROFILE SYSTEM



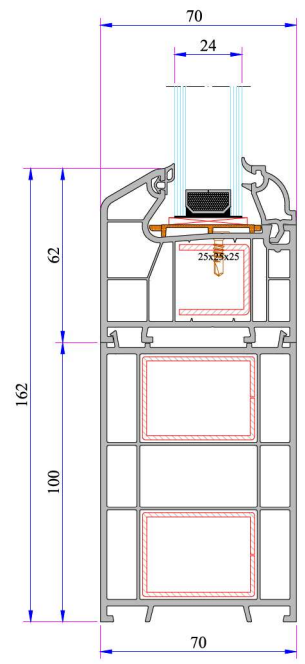
Large Coupling Profile Installation



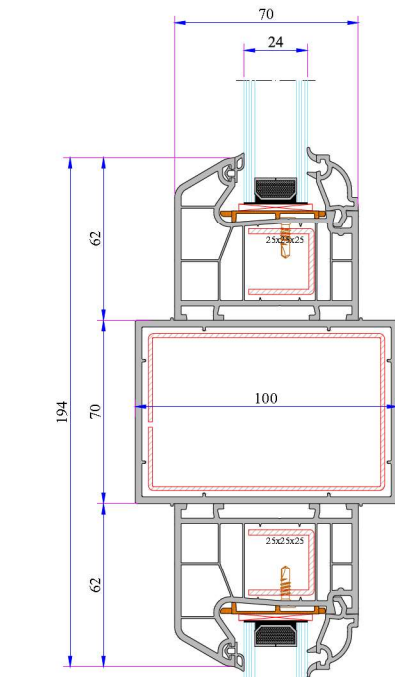
Narrow Coupling Profile Installation



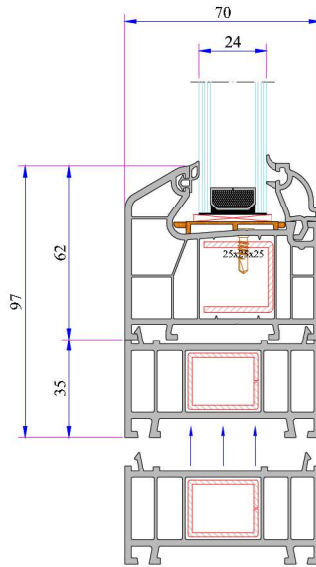
Short Coupling Profile Installation



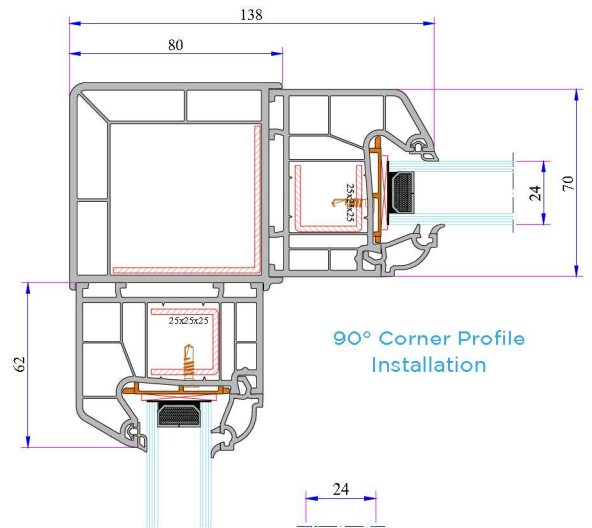
100mm Frame Lifting Profile Installation



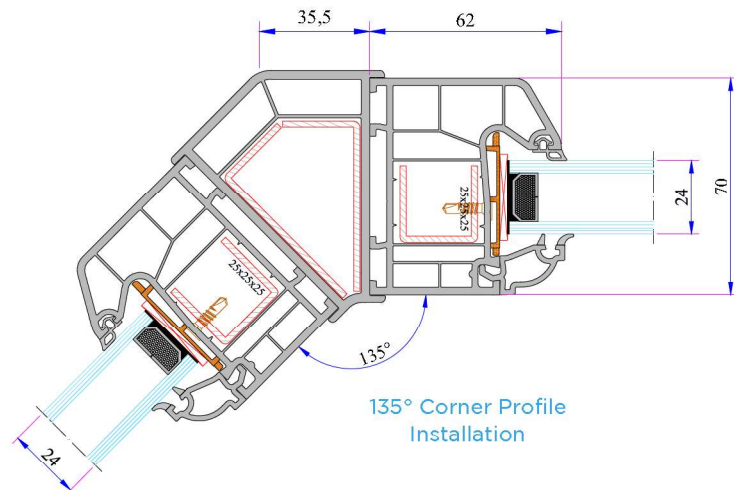
70x100 mm Box Profile Installation



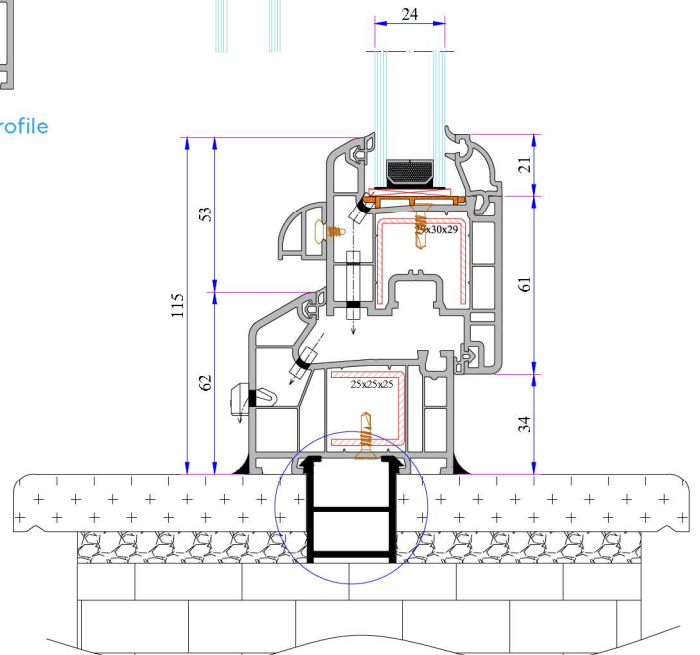
35mm Frame Lifting Profile Installation



90° Corner Profile Installation

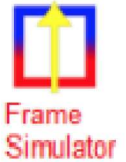


135° Corner Profile Installation

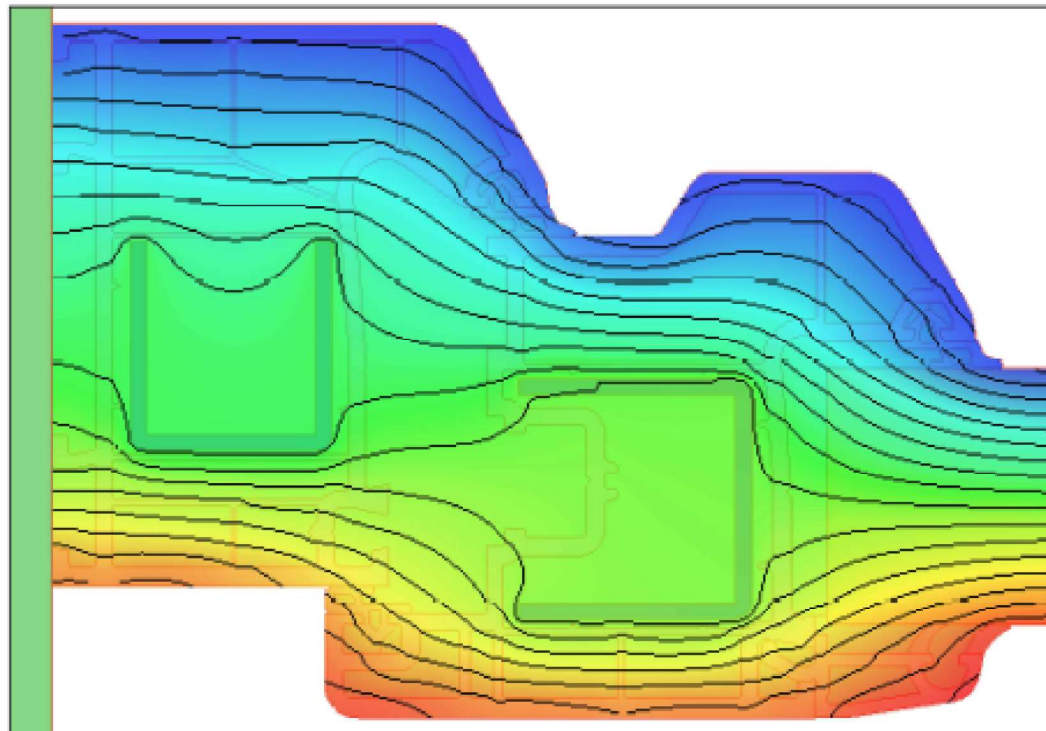


Offset Profile and Montage Profile Installation

Project name:	ADOPEN 760 SERI Uf		
Transmittance (Uf):	1.4573 W/m <sup>2</sup> K	Internal T:	20.00 °C
Conductance (Lf2D):	0.3428 W/mK	External T:	0.00 °C
Frame length (Bf):	115.00 mm		



**Thermal transmittance (Uf) computation performed in accordance with EN ISO 10077-2:2012**



**Node details**

<i>Primitives used for finite element simulation:</i>	20036
<i>Frame width (Bf):</i>	115.00 mm
<i>Visible insulation panel width (Bp):</i>	190.02 mm
<i>Insulation panel thickness (Dp):</i>	35.20 mm

**External boundary conditions:**

<i>Temperature:</i>	0.00 °C
<i>Surface resistance:</i>	0.040 m <sup>2</sup> K/W

**Internal boundary conditions:**

<i>Temperature:</i>	20.00 °C
<i>Surface resistance:</i>	0.130 m <sup>2</sup> K/W
<i>Humidity:</i>	65.00 %

**Results computed in accordance with EN ISO 10077-2:2012**

<i>Internal/external temperature difference:</i>	20.00 °C
<i>2D conductance (Lf2D):</i>	0.3428 W/mK
<i>Transmittance (Uf):</i>	<b>1.4573 W/m<sup>2</sup>K</b>





**FACTORY**

Antalya Organize Sanayi Bölgesi 2.Kısım Mah. 21.Cadde No:3

07040 Döşemealtı / ANTALYA / TURKEY

Tel : +90 242 236 20 00 · Faks : +90 242 236 20 90 · Email : info@ado.com.tr

